

SANTEK[®]

Pressure Vessels



www.santekwater.com



WATER TREATMENT PRESSURE VESSELS

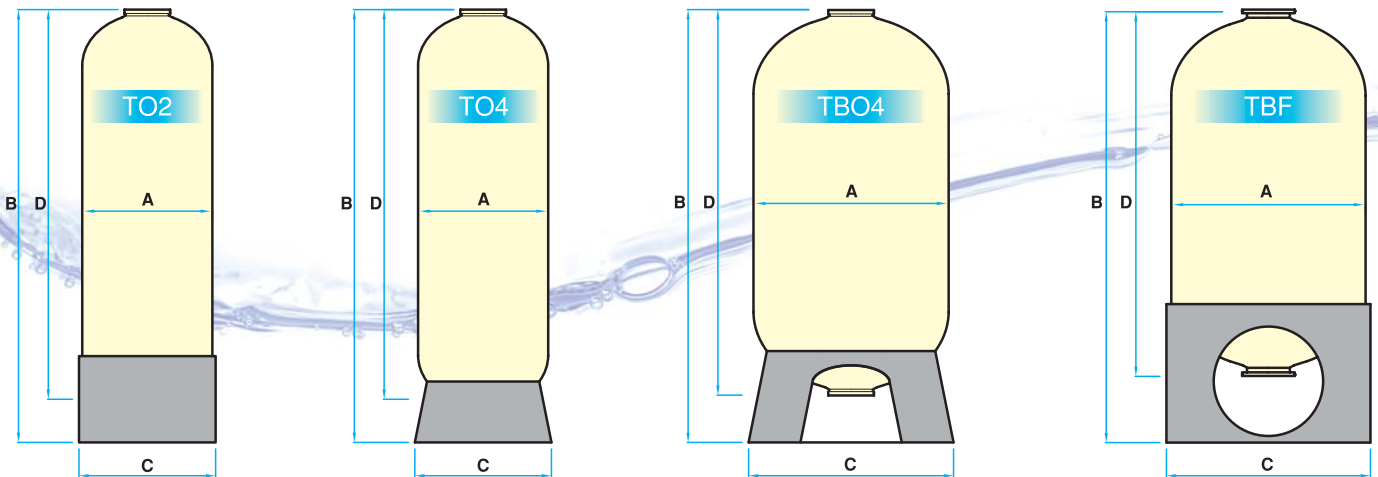
Santek pressure vessels are composed of a seamless, high density polyethylene liner and an outer winding of reinforced fiberglass and epoxy resin.

Blow-molded, food grade inner liner assures leak-free operation, while high strength fiberglass winding provides pressure resistance.

Produced with computer aided processes, our tanks offer high performance and reliability.

- Composite material provides corrosion resistance;
- Wide range of sizes: from 7" to 63" diameter (22 liter – 5230 liter tank volume);
- Wide range of applications due to high chemical resistance, mechanical strength and food grade material;
- Easier handling and transportation due to lower weight compared to steel tanks;
- Options for in-out connections: 2¹/₂" and 4" threaded, 6" and 8" flanged openings.



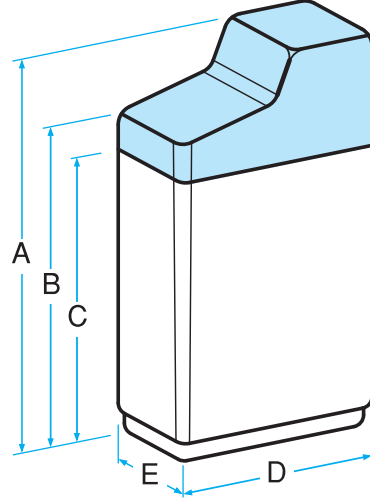


Model		Tank Diameter A (mm)	Total Height B (mm)	Base Diameter C (mm)	Vessel Height D (mm)	Volume of Tank (l)	Empty Weight (kg)
2 1/2" Top Open Pressure Vessels							
TO2	7x35	Ø 193	894	Ø 204	880	22	4.2
TO2	8x17	Ø 214	442	Ø 222	425	11	2.5
TO2	8x35	Ø 214	898	Ø 222	885	26	4.3
TO2	8x44	Ø 214	1114	Ø 222	1097	33	5.2
TO2	9x35	Ø 234	896	Ø 238	885	30	5.5
TO2	10x35	Ø 257	896	Ø 262	890	38	5.2
TO2	10x54	Ø 260	1372	Ø 262	1368	62	7.3
TO2	13x54	Ø 344	1391	Ø 345	1368	111	11.7
4" Top Open Pressure Vessels							
TO4	14x65	Ø 363	1656	Ø 350	1640	147	17.7
TO4	16x65	Ø 414	1651	Ø 350	1633	190	19.2
TO4	18x65	Ø 465	1688	Ø 475	1641	270	26.0
TO4	21x60	Ø 536	1605	Ø 475	1536	317	28.8
TO4	24x72	Ø 617	1890	Ø 475	1810	470	44.3
TO4	30x72	Ø 776	1935	Ø 700	1825	764	65.5
TO4	36x72	Ø 928	1990	Ø 930	1930	1064	107.0
4"-4" Top-Bottom Open Pressure Vessels							
TBO4	21x60	Ø 536	1750	Ø 660	1578	317	39
TBO4	24x72	Ø 617	2020	Ø 660	1825	470	51
TBO4	30x72	Ø 776	2158	Ø 770	1845	764	71
TBO4	36x72	Ø 928	2320	Ø 1000	1936	1064	122
6"-6" Top-Bottom Flanged Pressure Vessels							
TBF6	24x72	Ø 617	2075	Ø 660	1920	470	51
TBF6	30x72	Ø 776	2208	Ø 770	1935	764	77
TBF6	36x72	Ø 928	2370	Ø 1000	2027	1064	128
TBF6	42x72	Ø 1070	2382	Ø 1140	2035	1475	168
TBF6	48x72	Ø 1227	2395	Ø 1305	2055	1958	183
TBF6	48x130	Ø 1227	3035	Ø 1305	2670	2800	232
TBF6	55x122	Ø 1407	3090	Ø 1305	2680	3642	325
TBF6	63x134	Ø 1612	3310	Ø 1760	2860	4418	394
TBF6	63x149	Ø 1612	3690	Ø 1760	3240	5230	460
8"-8" Top-Bottom Flanged Pressure Vessels							
TBF8	55x122	Ø 1407	3090	Ø 1305	2680	3642	334
TBF8	63x134	Ø 1612	3310	Ø 1760	2860	4418	398
TBF8	63x149	Ø 1612	3690	Ø 1760	3240	5230	464

CABINET MODELS



The body of our cabinets are blow molded and the covers are injection molded polyethylene. All parts are available in different colors and transparency.



Model	Dimensions					Weight (kg)	Notes
	A (mm)	B (mm)	C (mm)	D (mm)	E (mm)		
C 17	680	510	425	530	290	4.4	Suitable for 8x17 vessel
C 35	1140	970	883	565	320	7.5	Suitable for 7x35 - 8x35 - 9x35 - 10x35 vessels

PRESSURE VESSEL ACCESSORIES



SINTEK INDUSTRIAL PRODUCTS LTD.
 Necatibey Cad. No: 44/3 Karaköy 80030 İstanbul - TURKEY
 Tel: +90 212 251 44 10 Fax: +90 212 251 98 58
 E-mail: info@santekwater.com
www.santekwater.com